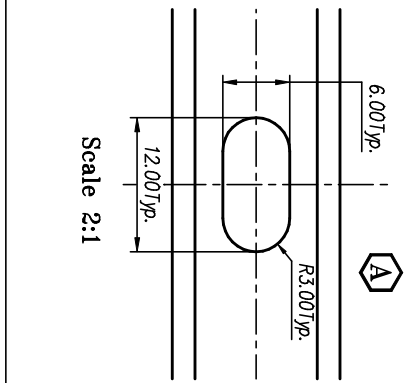


Scale 1:1



א-5220 תוכן לשינוי . תאריך עד כאן מאת גורם

No	DATE	SIGN	CHANGED FROM	CHANGED TO	SIGNATURE
1					
2					
3					

Alubin Ltd.		Client's drawing name: -----		Temporary drawing name: AM-316_b	
Veeckman	-----	-----	cm ⁴		
DRAWN.	AREA/SQ/MM	KG/M	I - XX	Alloy : 6063	CLIENT NAME
23.01.00	---	---	cm ⁴	T-5	CHECKED
DATE	PER/MM(P)	PER/MM(O)	I - YY		DATE
Die number: -----			Y		DATE
			X		DATE

TOLERANCES COMP. WITH DIN 1748
 ALL CORNERS RADIUS : 0.50 MM.
 TYPICAL WALL THICKNESS : A1. MM.